



UNDERWATER CABLE CONNECTORS

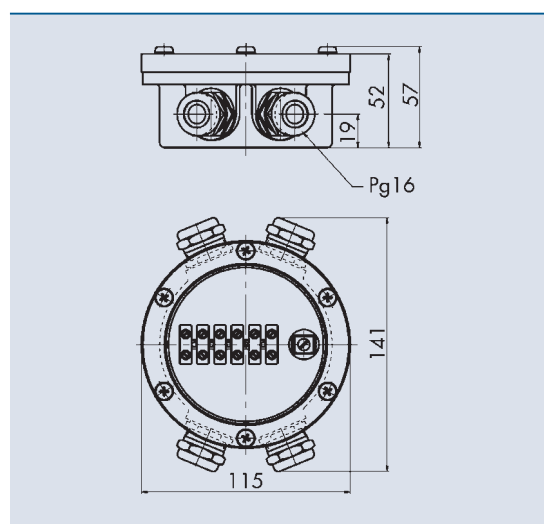
OASE underwater cable connectors are connecting and separating elements for electrical consumers, such as underwater pumps, or underwater spotlights, in all areas of water technology.

They enable trouble-free connection and disconnection of consumers from supply lines. Separation is necessary for example if the consumer must be removed for service purposes. With OASE underwater cable connectors, usually connecting and disconnecting is possible without having to drain the water.

All types have a transparent lid. Several blind plugs are supplied with each underwater cable connector to seal unused cable glands.

Product characteristics at a glance

- A solution that has proven itself in practice
- For small, medium-sized, and larger consumers
- With transparent lid for checking
- Corrosion resistant



	UKKT3
Dimensions (ø x H)	115 x 57 mm
Number of cable glands	4
Suitable for cable diameter	7 – 14 mm
Number of terminals	5
Number of PE terminals	1
Material	tombac
Weight	1.2 kg
Order no.	51334



JUNCTION BOX 4/M32, 8/M20, 14/M20 AND 10/M20T

Cable connectors are connecting and separating elements for electrical consumers in all areas of water technology. Consumers can be conveniently connected and disconnected – and thanks to OASE – even without draining the water!

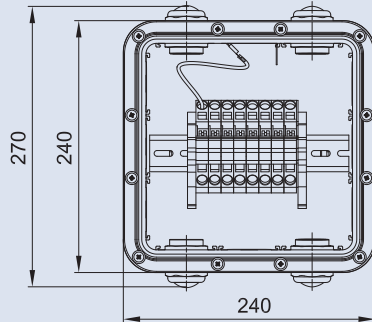
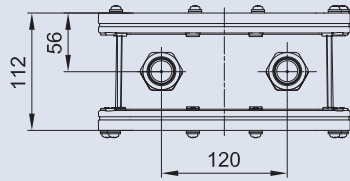
The new junction box is a revolution in the field of underwater cable connectors: It is easy to install and offers many combination possibilities.

The junction box is available in 4 standard versions: The junction box 4/M32 comes with 4 pieces of M32 cable glands, the 8/M20 contains 8 and the 14/M20 comes with 14 pieces of M20 cable glands. The junction box 10/M20 T contains 10 pieces of M20 cable glands and has additionally an electronic switching power supply from 230V AC to 24V DC.

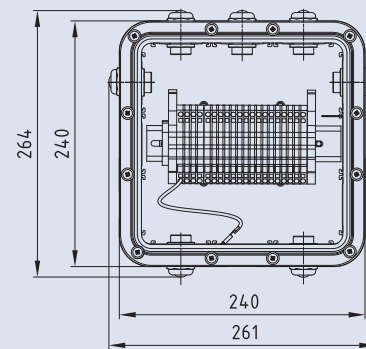
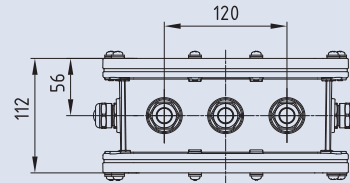
Product characteristics at a glance

- 4, 8, 10 or 14 cable glands
- Easy service
- Please follow the DIN VDE 0100-702

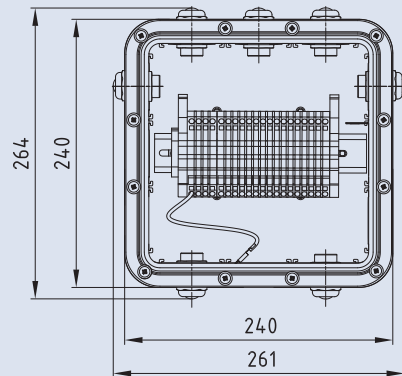
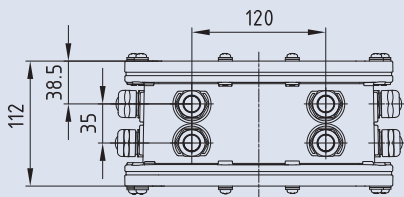




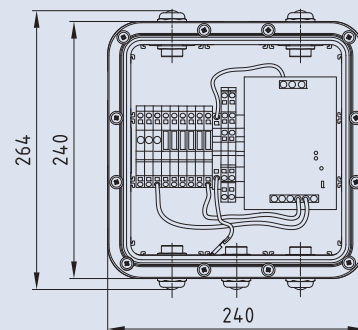
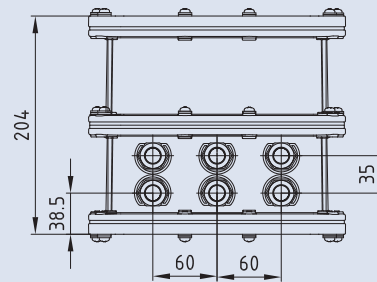
4/M 32



8/M 20



14/M 20



10/M 20T

230 V AC/50 Hz
24 V DC
max. 9 A/216 VA

Junction Box		4/M 32	8/M 20	14/M 20	10/M 20/Trafo 230/24V
Dimensions (L x W x H)	[mm]	270 x 240 x 112	264 x 261 x 112	264 x 261 x 112	264 x 261 x 204
Protection class		IP 68	IP 68	IP 68	IP 68
Number of cable glands		4 x M32	8 x M20	14 x M20	10 x M20
Cable diameter	[mm]	6 – 24	6 – 13	6 – 13	6 – 13
Number of terminals		6 (16 mm ²)	16 (4 mm ²)	18 (4 mm ²)	9 (6 mm ²) / 2 (4 mm ²)
Number of PE terminals		2 (16 mm ²)	5 (4 mm ²)	6 (4 mm ²)	3 (4 mm ²)
Material		PET-GF45 / Makrolon	PET-GF45 / Makrolon	PET-GF45 / Makrolon	PET-GF45 / Makrolon
Weight	[kg]	3.3	3.4	3.9	5.3
Order no.		57485	57486	50358	50360



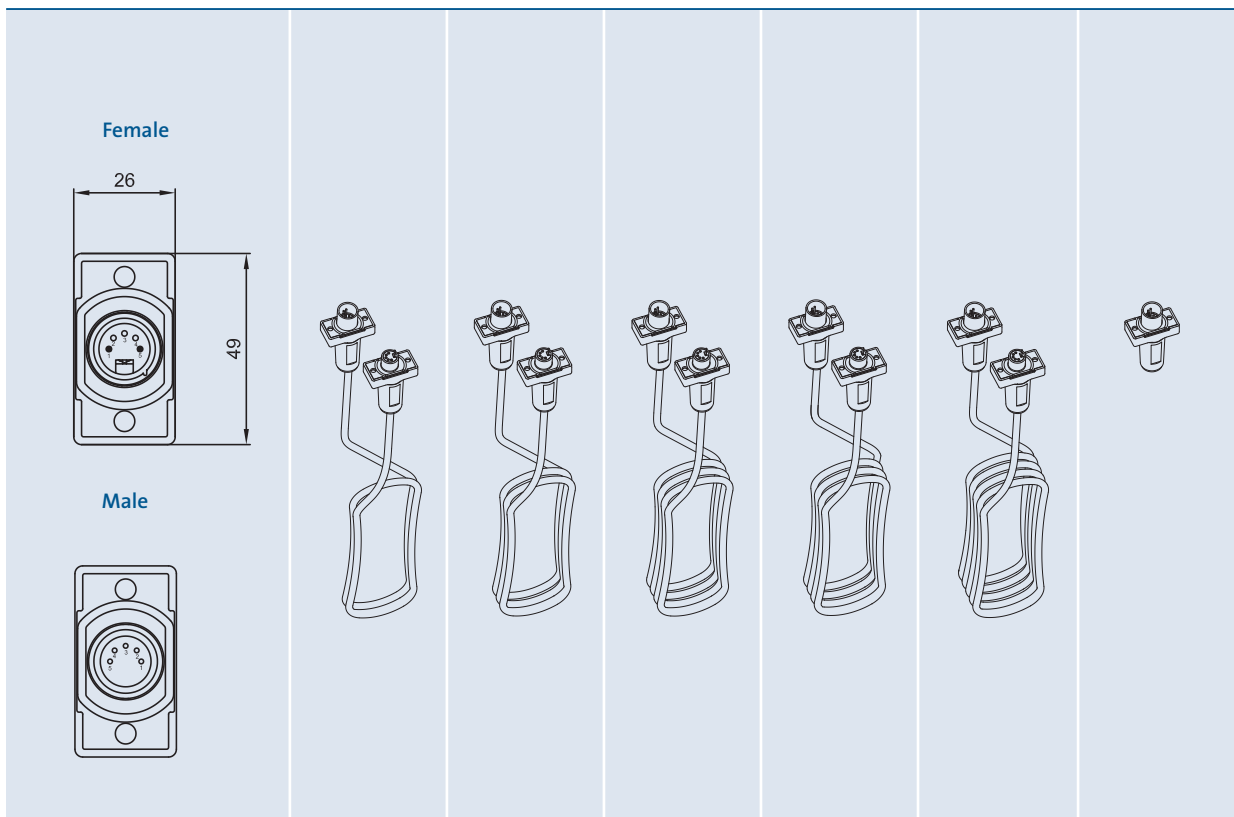
CONNECTION CABLE DMX

OASE connection cable DMX/01 cables are designed specially for underwater applications.

The unique connection sockets based on XLR standards (5-pole) are IP 68 rated. The gaskets are integrated in the plugs.

Product characteristics at a glance

- female / male connections
- IP 68 rated
- 2-core plus shielding



Connection cable DMX/01	1.0 m	3.0 m	5.0 m	10.0 m	20.0 m	End Resistor for Bus-System DMX/01
Length [m]	1.0	3.0	5.0	10.0	20.0	–
Diameter (∅) [mm]	2 x 0.34 ²	2 x 0.34 ²	2 x 0.34 ²	2 x 0.34 ²	2 x 0.34 ²	–
Weight [kg]	0.2	0.4	0.7	1.8	3.3	0.1
Order no.	12368	12369	12371	12372	12373	12007

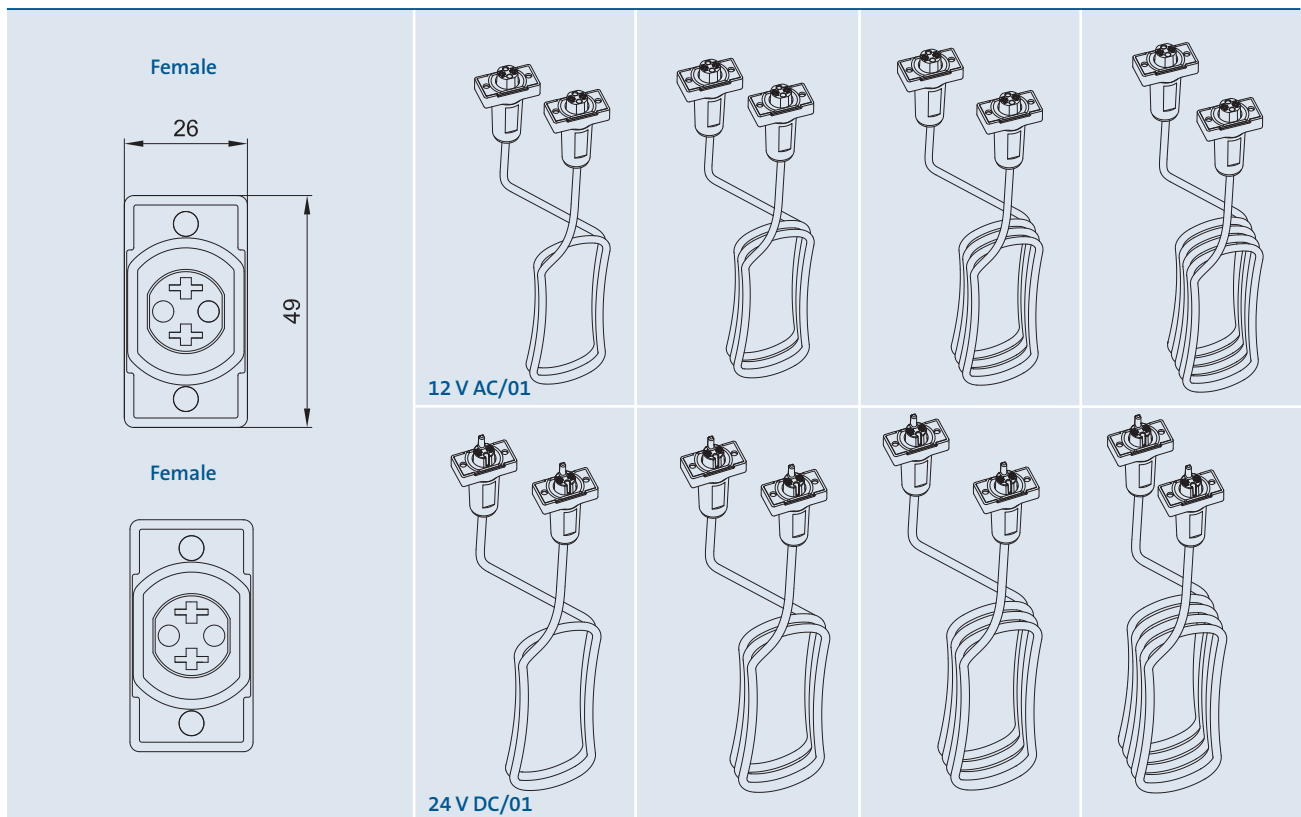
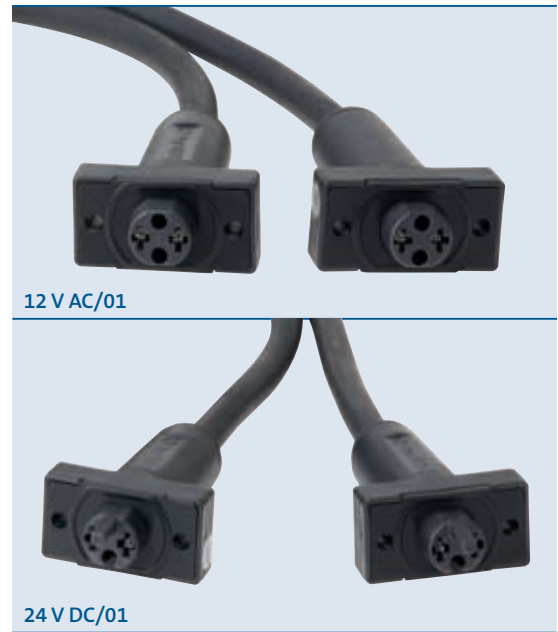
CONNECTION CABLE 12V AC/24V DC

OASE connection cables 12V AC/01 and 24V DC/01 are designed specially for underwater applications.

The unique connection sockets are IP 68 rated. The gaskets are integrated in the plugs.

Product characteristics at a glance

- female / female connections
- IP 68 rated



Connection Cable 12 V AC/01		1.0 m	3.0 m	7.5 m	15.0 m
Length	[m]	1.0	3.0	7.5	15.0
Diameter (φ)	[mm]	2 x 2.5 ²	2 x 2.5 ²	2 x 2.5 ²	2 x 2.5 ²
Weight	[kg]	0.2	0.4	1.4	2.6
Order no.		12768	12374	12375	11740

Connection cable 24 V DC/01		1.0 m	3.0 m	7.5 m	15.0 m
Length	[m]	1.0	3.0	7.5	15.0
Diameter (φ)	[mm]	2 x 2.5 ²	2 x 2.5 ²	2 x 2.5 ²	2 x 2.5 ²
Weight	[kg]	0.2	0.4	1.4	2.6
Order no.		12762	12552	12553	11720